

Quantum[®] Q-6800 Series

Automated Fluid Dispensing System with Advanced Process Controls

Features and Benefits

- Large dispense area (423 x 458 mm) is ideal for a wide-range of substrate sizes and dual-valve dispensing
- Range-finding laser height sensor enables fast, non-contact dispense height measurement
- Digital vision system with enhanced vision software for superior imaging detection
- Patented Calibrated Process Jetting[™] (CPJ) process control automatically compensates for changes in fluid viscosity and ensures higher yield



Uncompromizing quality and value

The Quantum Series is the cost effective dispensing solution for customers who demand highest quality and value for mid- to high-complexity dispensing applications.

With the Quantum system, customers no longer have to choose between acquisition cost and high-quality dispensing capability.

Benefit from Decades of Dispensing Know-how. From the original jet dispensing company for electronics assembly, Nordson ASYMTEK's Total System Solution expertise in platform and dispensing technologies deliver quality, speed, flexibility and lower cost of ownership.

More Value. The Quantum system includes advanced process management features such as fluid weight scale, patented Mass Flow Control (MFC)/Calibrated Process Jetting (CPJ) closed-loop process control, range-finding laser height sensor, digital vision system with enhanced fiducial image processing, and programmable substrate heat capability.

End-to-end Customer Care. From initial process development through full-scale production, you are supported by our experienced worldwide engineering, applications development and technical service network.

Quantum® Q-6800 Series Features

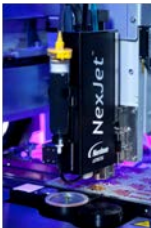
The Quantum dispenser with Nordson ASYMTEK's applicator technology serves as a reliable and cost-effective solution for many demanding fluid dispense requirements for PCBA, SMT and other electronic assembly applications.

Recommended for:

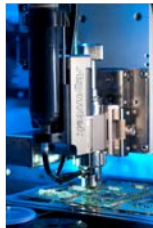
- CSP, BGA and board-level underfill
- Surface mount adhesives
- Corner and edge bonding
- Dam and fill
- Potting and encapsulation
- Conductive epoxy
- Case assembly
- Larger board or substrate sizes

**At Nordson ASYMTEK, we deliver the whole package:
Technology + Process Capability + Global Support**

*NexJet® 8
Jetting System*



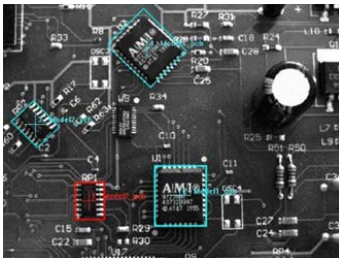
*DispenseJet®
Jet*



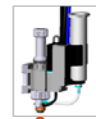
*Heli-flow®
Pump*



Nordson ASYMTEK Applicators have an established reputation for quality, flexibility and lower cost of ownership.



Digital Vision System incorporates easy to use powerful vision algorithm for quickly finding and teaching fiducials even when that target varies in size, contrast or rotation.



Scale

CPJ Process Control
Automatic dispensed
weight compensation

Patented Mass Flow Control (MFC)/Calibrated Process Jetting (CPJ) ensures the right amount of material is dispensed for each part from the beginning to the end of the production run.



With DDC



Without DDC

Dynamic Dispense Control (DDC) provides faster dispensing without compromising dispensed line quality.

Standard

Range-finding Laser Height sensor
Calibration Station
Digital Vision system
Weight Scale with CPJ/MFC
Single applicator support

Available

Dual applicator support
Dual-lane configuration
Fids-on-the-Fly™ software
Pre- and post-queue stations
SECS/GEM interface

Contact Nordson ASYMTEK today and put our expertise to work for you!

Quantum® Q-6800 Series Specification Highlights

Dispense Area (X-Y) ⁽¹⁾

423 x 458 mm (16.7 x 18.0 in.), single applicator with offsets for vision and height sense

Board Handling ⁽¹⁾

Max. board/carrier length:	One station: 600 mm (23.6 in.); Three stations: 320 mm (12.6 in.)
Min. board/carrier length:	25 mm (0.98 in.)
Max. board/carrier width:	Single lane: 520 mm (20.4 in.); Dual lane: up to 220 mm (8.6 in.)
Min. board/carrier width:	25 mm (0.98 in.)
Max. board/carrier thickness:	12 mm (0.5 in.)

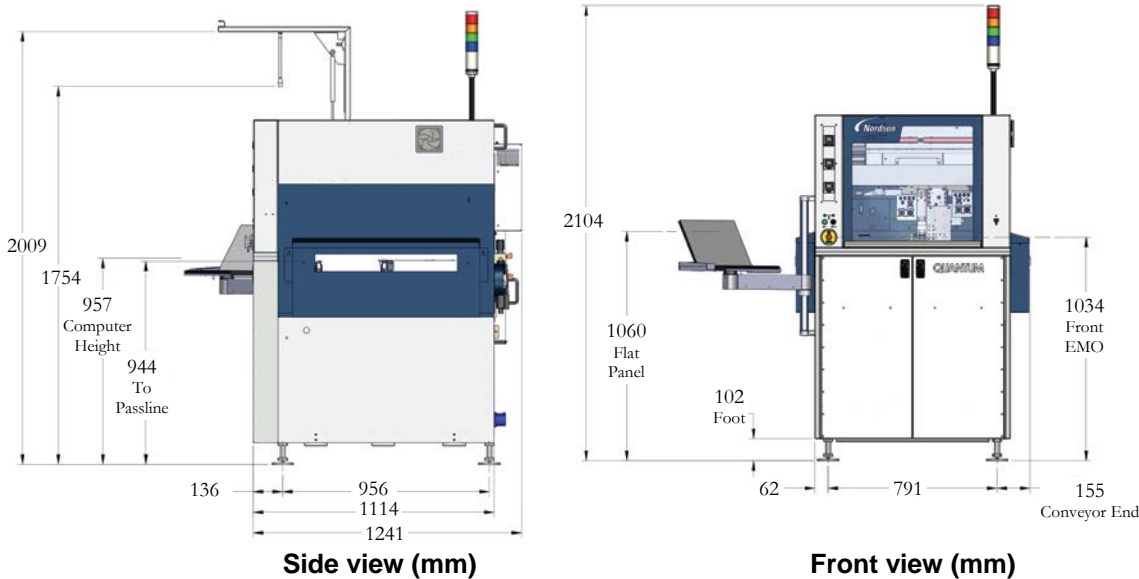
System Dimensions and Weight

System footprint:	1100 x 1241 mm (43.3 x 48.8 in.)
System weight ⁽²⁾ :	435-490 kg (960-1080 lbs.)

Standards Compliance

SEMI-S2; SEMI-S8; SMEMA; CE

- (1) Contact factory regarding other travel distance, board/carrier size compatibility
(2) System weight varies depending on configuration



Contact us for detailed product and wet dispense specifications:

Nordsonasymtek.com

North America

Headquarters
Carlsbad, CA, USA
+1.760.431.1919
info@nordsonasymtek.com

China

Email: china@nordsonasymtek.com

Shanghai
+86.21.3866.9166

Beijing
+86.10. 8453.6388

Guangzhou
+86.20.8554.9996

Europe

Maastricht, Netherlands
+31. 43.352.4466
cs.europe@asymtek.com

Japan

Tokyo
+81.3.5762.2801
info-jp@nordsonasymtek.com

Korea

Seoul
+82.31.765.8337
info@nordsonasymtek.com

India

Chennai
+91. 44.4353.9024
info@nordsonasymtek.com

S.E. Asia/Australia

Singapore
+65.6796.9514
info@nordsonasymtek.com

Taiwan

+886.229.02.1860
info@nordsonasymtek.com